

EvaQ HUB II

Instructions for use | Návod k použití

Descender, rescue and lifting device / Slaňovací a zdvihací zařízení pro záchranu osob
ANSI Z359.4:2013 (1 Person / 1 osoba), EN 341:2011 – 1A, EN 1496:2017 – B
EN 12841 Type C



Dear customer,

Congratulations on purchasing this product. It was manufactured and tested subject to strict quality standards and with the utmost care. We thus laid the groundwork for safe use. It is now your responsibility to use this product correctly.



For correct and safe use of this product it is essential that you read these instructions carefully. Follow all safety instructions in the respective chapters of this manual.

You may only use this product if you have read and understood these instructions for use, if you have undergone training and if you are physically and mentally capable of doing so.

This manual including the inspection protocol must be kept with the product. In case of loss or if manual and inspection protocol became unusable, the effective versions of both documents are available for download at www.singingrock.com.

You can download the instructions for use and the test protocol via www.singingrock.com.

Do you have any questions or wishes concerning this product or do you want to give us feedback? Just call us or send an email.

Customer service

SINGING ROCK s.r.o.
Poniklá 317
514 01 Poniklá
Czech Republic
+420 481 585 007
info@singingrock.com
www.singingrock.com

Manufacturer

SINGING ROCK s.r.o., Poniklá 317, 514 01 Poniklá, Czech Republic

Country of origin

Europe

Copyright

SINGING ROCK s.r.o., Poniklá 317, 514 01 Poniklá, Czech Republic

Vážený zákazník,

Gratulujeme k nákupu tohoto produktu. Byl vyroben a testován podle přísných norem kvality a s maximální péčí. Tím jsme stanovili základy pro bezpečné používání. Nyní je vaší odpovědností tento výrobek správně používat.



Pro správné a bezpečné používání tohoto výrobku je nutné, abyste si tento návod pečlivě přečetli. Dodržujte všechny bezpečnostní pokyny uvedené v příslušných kapitolách tohoto návodu.

Tento výrobek smíte používat pouze tehdy, pokud jste si přečetli a pochopili tento návod k použití, pokud jste podstoupili školení a pokud jste k tomu fyzicky a psychicky způsobilí.

Tento návod včetně zkušebního protokolu musí být uložen u výrobku. V případě ztráty nebo pokud by návod a zkušební protokol nebyly dále použitelné, jsou platné verze obou dokumentů k dispozici ke stažení na adrese www.singingrock.com.

Návod k použití a zkušební protokol si můžete stáhnout na adrese www.singingrock.com.

Máte nějaké dotazy nebo přání týkající se tohoto produktu nebo nám chcete poskytnout zpětnou vazbu? Stačí nám zavolat nebo poslat e-mail.

Zákaznický servis

SINGING ROCK s.r.o.
Poniklá 317
514 01 Poniklá
Česká republika
+420 481 585 007
info@singingrock.com
www.singingrock.com

Výrobce

SINGING ROCK s.r.o., Poniklá 317, 514 01 Poniklá, Česká republika

Země původu

Evropa

Autorská práva

SINGING ROCK s.r.o., Poniklá 317, 514 01 Poniklá, Česká republika

TERMINOLOGY

COMPETENT PERSON	Trained according to DGUV 312-906 or with appropriate regional training.
AUTHORIZED PARTNER	Trained by SINGING ROCK. The authorized partner is authorized to perform inspections and maintenance of the product.
RESCUE / DESCENDER DEVICE	EvaQ Hub II incl. rope
ANCHOR DEVICE	Any anchor devices corresponding to the applicable standards for PPE against falls from a height.

TERMINOLOGIE

KOMPETENTNÍ OSOBA	Osoba vyškolená podle DGUV 312-906 nebo s příslušným regionálním školením.
AUTORIZOVANÝ PARTNER	Osoba vyškolená společností SINGING ROCK. Autorizovaný partner je oprávněn provádět kontroly a údržbu výrobku.
ZÁCHRANNÉ / SLAŇOVACÍ ZAŘÍZENÍ	EvaQ Hub II včetně lana
KOTEVNÍ ZAŘÍZENÍ	Veškerá kotevní zařízení odpovídající platným normám pro osobní ochranné prostředky proti pádu z výšky.



NOTE

In order to make our texts easier to read, we dispense with gender differentiation and write main personal words in the male form. This is meant as a neutral wording by which we address all people equally without any discrimination. The shown pictures are examples and symbol photos. The actual devices may vary a little because of options (connectors, hand-wheel,..).

TIP

Abychom usnadnili čtení našich textů, upouštíme od rozlišování pohlaví a hlavní osobní slova píšeme v mužském tvaru. To je myšleno jako neutrální formulace, kterou oslovujeme všechny lidi stejně bez rozdílů. Zobrazené obrázky jsou příklady a symbolické fotografie. Skutečná zařízení se mohou trochu lišit kvůli voleným možnostem (konektory, ruční kolečko,..).

ENGLISH

1 FOR YOUR OWN SAFETY	7
1.1 Symbols used	7
1.2 User requirements	8
1.3 Visual and functional inspection	8
1.4 Use	8
1.5 Storage and transport	9
1.6 Maintenance	9
1.7 Accidents and rescue plan	9
2 PRODUCT OVERVIEW	10
2.1 Technical details	10
2.2 Marking	11
2.3 Scope of delivery	12
2.4 Accessories	12
2.5 Maximum descent distance recommended by the manufacturer	12
2.6 Redundancy	13
2.7 Rescue deployment	13
2.8 Overload	13
2.9 Temperature	13
3 USE	14
3.1 Intended use	14
3.2 Important notes on the usage of the eyebolts	15
3.3 Abseiling with EvaQ HUB II with rope clamp	16
3.4 No move during lifting	18
3.5 Applications under EN 12841	19
3.6 Anchor device	29
3.7 Training	29
3.8 EvaQ case with sealing	30
3.9 Lifetime and period of use	31
4 TRANSPORT AND STORAGE	32
5 MAINTENANCE	32
5.1 Repairs	32
5.2 Cleaning	32
5.3 Disinfection	32
6 INSPECTION	33
6.1 Functional inspection	33
6.2 Regular inspections	33
6.3 Inspection and maintenance	34
7 RETIREMENT	35
8 RESALE	35

9 ACCIDENTS	36
9.1 Suspension trauma	36
10 LEGAL INFORMATION	37
10.1 Declaration of conformity	37
10.2 Product liability	37
10.3 Copyright	37
10.4 Trademarks	37
11 DECLARATION OF CONFORMITY	37
12 TEST PROTOCOL	70
13 USAGE OVERVIEW	72

ČESKY			
1 FPRO VAŠI VLASTNÍ BEZPEČNOST	39		
1.1 Použité symboly	39		
1.2 Požadavky na uživatele	40		
1.3 Vizualní a funkční kontrola	40		
1.4 Použití	40		
1.5 Skladování a přeprava	41		
1.6 Údržba	41		
1.7 Nehody a záchranný plán	41		
2 PŘEHLED VÝROBKU	42		
2.1 Technické údaje	42		
2.2 Značení	43		
2.3 Rozsah dodávky	44		
2.4 Příslušenství	44		
2.5 Maximální délka sestupu doporučená výrobcem	44		
2.6 Záložní jistění	45		
2.7 Nasazení při záchrane	45		
2.8 Přetížení	45		
2.9 Teplota	45		
3 POUŽITÍ	46		
3.1 Zamýšlené použití	46		
3.2 Důležité pokyny pro použití ok pro dodatečné tření	47		
3.3 Slanění se zařízením EvaQ HUB II s lanovou svorkou	48		
3.4 Žádný pohyb při zdvihání	50		
3.5 Použití podle EN 12841	51		
3.6 Kotevní zařízení	61		
3.7 Školení	61		
3.8 Obal EvaQ s plombou	62		
3.9 Životnost a doba používání	63		
4 PŘEPRAVA A SKLADOVÁNÍ	64		
5 ÚDRŽBA	64		
5.1 Opravy	64		
5.2 Čištění	64		
5.3 Dezinfekce	64		
6 REVIZE	65		
6.1 Funkční kontrola	65		
6.2 Pravidelné kontroly	65		
6.3 Revize a údržba	66		
7 VYŘAZENÍ VÝROBKU	67		
8 PŘEPRODEJ	67		
		9 NEHODY	68
		9.1 Trauma z visu	68
		10 PRÁVNÍ INFORMACE	69
		10.1 Prohlášení o shodě	69
		10.2 Odpovědnost za výrobek	69
		10.3 Autorská práva	69
		10.4 Ochranné známky	69
		11 PROHLÁŠENÍ O SHODĚ	69
		12 ZKUŠEBNÍ PROTOKOL	70
		13 PŘEHLED POUŽITÍ	72

ENGLISH

1 FOR YOUR OWN SAFETY

Activities requiring the use of this product can be dangerous. Moreover, it is also possible to use this product incorrectly in many ways and we cannot possibly list or think of all of them.

These instructions for use will give you information on your safety and the product and its use. This information and the safety instructions do not however replace personal experience, knowledge of the product and self-responsibility.

You will find detailed safety regulations and descriptions in the following chapter and at the beginning of each chapter. Read them carefully and make sure you understand them. If you need more information or if you are not sure how to use this product, get in touch with SINGING ROCK. We will be happy to help you.

This product is state of the art and corresponds to all applicable technical standards and guidelines.

1.1 Symbols used

In this document safety regulations of the following categories are being used: **DANGER**, **WARNING**, **CAUTION** and **NOTE**. Follow the safety instructions to avoid personal injuries or damage of the product.



DANGER

DANGER means that death or a serious injury are very likely to happen if an accident occurs or a hazardous situation is not avoided.

- In order to avoid serious injury or death all safety instructions marked with **DANGER** must be followed.



WARNING

WARNING means that death or a serious injury are likely to happen if an accident occurs or a hazardous situation is not avoided.

- In order to avoid serious injury or death all safety instructions marked with **WARNING** must be followed.



CAUTION

CAUTION means that moderate or minor injuries may happen if an accident occurs or a hazardous situation is not avoided.

- In order to avoid moderate or minor injuries all safety instructions marked with **CAUTION** must be followed.



NOTE

NOTE draws your attention to a possible damage of the product or other properties if an accident occurs or a hazardous situation is not avoided.

- In order to avoid damage of the product or other properties all safety instructions marked with **NOTE** must be followed.

1.2 User requirements

- Read these instructions for use thoroughly before using this product. You may only use this product after you have read and understood these instructions for use.
- This product may only be used as a descender and rescue device or for work positioning according to EN 12841-C for persons.
- This product may only be used by max. two persons at a time.
- You may only use this product if you are mentally and physically capable of doing so.
- PPE equipment is ment as personal equipment for every user.

1.3 Visual and functional inspection

- The annual visual and functional inspection must be carried out by SINGING ROCK or an authorized partner. SINGING ROCK offers trainings for that purpose.
- This product must be inspected (e.g. damage of the rope etc.) before and after its use by the user.
- If the product has been subjected to heavy loads (e.g. due to a fall) , it must be sent to SINGING ROCK for inspection. Don't forget to give us all necessary information (where and how this product has been damaged).
- If the use of this product does not seem safe anymore (e.g. rope damaged etc.), send it to SINGING ROCK or an authorized partner for inspection and repair. Do not use it!
- Fill in the inspection protocol carefully. Each inspection must be entered.

1.4 Use

- The lifetime of metal parts of this product is unlimited. Textile components (e.g. ropes and lanyards) must be replaced after, maximum, 10 years after production.
- This product will heat up during the descent. Touching the housing or holding the long rope end during descent may lead to burns.
- If sharp edges (radius < 3mm) cannot be avoided, always use a protecting shield to protect the rope from damage or breaking.
- Always fix this product to an anchor device according to EN 795 before descending.
- Do not guide the loaded rope end through the eye bolts. This would stop the descent.
- This product may only be used in combination with tested and certified products (according to applicable standards for PPE against falls from a height).
- You may only resell this product when accompanied by the instructions for use in the respective language of the country and the complete inspection protocol.
- The use protocol must be filled in after each use.
- Descending and rescue devices, which are stored at the working side, have to be covered against environmental influences.

1.5 Storage and transport

- Store this product in a dry and clean place protected from mechanical (e.g. sharp edges) and chemical hazards (e.g. acids, gas) at room temperature and protected from light (e.g. UV).
- Store and transport this product in the original or an equivalent packaging. Store the rope loosely in figure of eight loops to avoid knots, which may result in blocking the device.

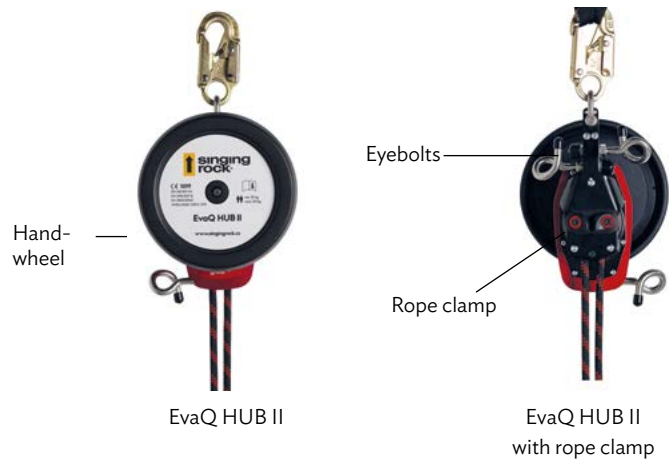
1.6 Maintenance

- Repairs may only be effected by SINGING ROCK or an authorized partner.
- If this product has been subje to a fall, all parts must be inspected and, if necessary, be replaced by SINGING ROCK.
- This product must not be tumble-dried, dried in the sun or over a heat source (e.g. radiator) -> Air-dry this product in an airy, shaded place.
- This product (the rope in particular) must not be disinfected or impregnated.
- Do not use chemicals when cleaning the product.
- This product must be inspected by SINGING ROCK or an authorized partner at least once a year but in any case after maximum descent distance written on page 10. Enter the distance in the use protocol.

1.7 Accidents and rescue plan

- A suspension trauma can be triggered by falling into the rope, a long descent or if a person is helplessly suspended in the harness for a long time.
- Prepare a rescue plan indicating all possible rescue measures in case of emergency before using this product.
- Check the use and fall area and make sure to secure, mitigate or remove possible dangers before using this product.

2 PRODUCT OVERVIEW



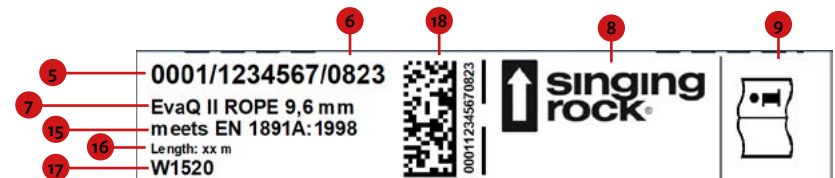
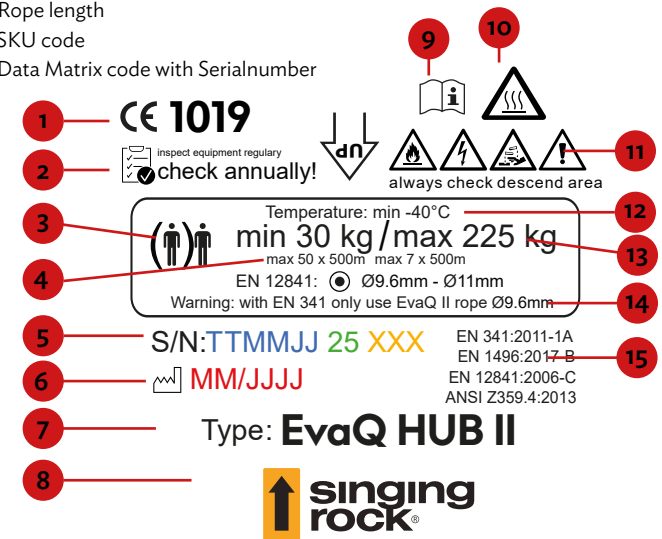
2.1 Technical details

- Certified according to EN 341:2011 class 1A (2 persons), EN 1496:2017 class B (2 persons), ANSI Z359.4:2013 (1 person), EN 12841:2006 Typ C (1 person)
- Weight (without rope): 3.8 kg (EvaQ HUB II)
- Rope for EN 341, EN 1496 und ANSI Z359.4:2013: EvaQ 9,6 mm, (EN 1891 A)
- Rope for EN 12841: Kernmantle rope Ø 9,6 mm till Ø 11 mm (EN 1891 A)
- Descent/lifting load max. 225 kg/min. 30 kg (EN: 2 persons / ANSI: 1 person)
- Descent/lifting height max. 500 m
- Descent speed approx. 1.0 m/s with 85 kg and approx. 1.5 m/s with 170 kg
- Motorized lifting possible with a cordless screwdriver
- Descent controllable by means of a rope deflection using the eye bolts
- Ambient temperature -40 °C to +65 °C
- The device can be used in both directions for descending and abseiling

2.2 Marking

This product has a serial number engraved in the housing. You will also find the serial on the first page of these instructions for use.

- 1 CE marking of the supervisory authority
- 2 Perform an inspection regularly / at least once a year
- 3 Max. Number of people with simultaneous use
- 4 Max. Descent height acc. standard (multiple use)
- 5 Serialnumber
- 6 Production year and months
- 7 Product name
- 8 Manufacturer
- 9 Always read and follow the instructions for use!
- 10 Warning: hot surface
- 11 Avoid descending into electrical, thermal, chemical or other hazardous areas
- 12 Application temperature range
- 13 Max. and min. rated load
- 14 Compatible rope sizes and types
- 15 Harmonized standard
- 16 Rope length
- 17 SKU code
- 18 Data Matrix code with Serialnumber



- Use an inventory number for this product. Enter the inventory number in the inspection protocol.
- Do not remove labels or other markings from this product.

2.3 Scope of delivery

- 1 pc EvaQ HUB II
- 1 pc rope inserted in the housing (length acc. to order)
- 1 pc packaging
- 1 pc instructions for use incl. inspection and use protocol

2.4 Accessories

This product may only be used in combination with tested and certified products.

- Only use this product with tested products or with products that have been recommended by EvaQ HUB II. The following products correspond to the applicable PPE against falls from a height standards.

Tested and certified products

Rescue overall/harness	EN 1497
Energy absorber	EN 355
Carabiner	EN 362
Anchor device	EN 795
Full body harness	EN 361
Lanyards	EN 354
Workpositioning	EN 358

The above products are featured on www.savealife.at. If you need more information please send us an email or call us.

2.5 Maximum descent distance recommended by the manufacturer

- max. descent distance with 1 person up to a max. of 75 kg: 10000m
- max. descent distance with 1 person up to a max. of 100 kg: 7500 m
- max. descent distance with 1 or 2 persons up to a max. of 150 kg: 5000 m
- max. descent distance with 2 persons up to a max. of 225 kg: 3500 m

You can reduce the load on the device through redirection (see 3.2).



WARNING

2.6 Redundancy

A training is not an emergency! At every training situations as well as rope access a redundant safety system has to be installed. Unforeseen events, technical or human failure cannot be ruled out. For redundancy safety measures you can also use a second EvaQ HUB II.

2.7 Rescue deployment

After each rescue deployment the device has to be inspected by SINGING ROCK or an authorized partner in order to ensure safe use. We recommend using different devices for training and rescue deployments.

2.8 Overload

Devices that have been subjected to a fall or a heavy load must be retired.

Rope clamp: When you activate the rope clamp, the hand wheel can only be turned in one direction. Turn the hand wheel gently to figure out the direction in which you can turn the wheel.

Danger: If you turn the hand wheel in the wrong (blocked) direction, the wheel or the device can be damaged. In that case, the device has to be inspected by SINGING ROCK or by an authorized partner.

2.9 Temperature

This product can be used in environments between -40°C and $+65^{\circ}\text{C}$.



WARNING

3 USE

Activities requiring the use of this product can be dangerous. Please observe all danger and safety notes. In case of doubt or if you have any questions, please feel free to contact us.

3.1 Intended use

This product may only be used as a rescue, descender and lifting device and only for transporting persons.

- This product may only be used for its intended purposes as defined in these instructions for use and only in combination with tested (certified) components according to the applicable PPE standards. Other combinations with uncertified components are not permitted and can be dangerous.

Use

Using this product without having read these instructions for use can lead to accidents resulting in severe injuries or death.

- Read these instructions for use carefully before using this product.
- In case of doubt or if you have questions please contact SINGING ROCK.
- Let the device cool down to room temperature after driving 1,000,000 J .

Inspection

Using this product without having performed a visual and functional inspection can lead to accidents resulting in severe injuries or death.

- Always inspect this product before and after its use.
- If you are not sure if this product can be used safely, do not use it.

Edge protection

If the rope is guided over a sharp edge, it can be damaged.

- Always use an edge protection (e.g. a protective plate) or a protective shield with sharp edges..

Risk of burns

This product (housing and rope) will heat up during the descent. Risk of burns during longer descents.

- Do not touch the housing during or after long descents.
- Do not hold on to the long rope end during descent.
- Wear protective gloves.

This product offers you a range of applications for various situations. Using this product requires solid training by professionals who have been trained on this product.

3.2 Important notes on the usage of the eye bolts



Eye bolt

Shorter rope end, has to be tightened (no loose rope)

Longer rope end, runs through the eye bolt

Using the eye bolts, you can control the descent speed or stop the descent. The longer, unloaded rope end runs through the eye bolts. If you hold on to the longer rope end, you can throttle the descent speed or stop the descent. If you don't use the eye bolts, the descent speed will be regulated automatically by two fly wheel brakes (speed ca. 0.8m/sec)

If you are using the descender as a shuttle system, make sure that you use the eye bolts correctly.

Standard rule: Only run the unloaded, longer rope end through the eye bolts!

Longer and shorter rope end

If you run the shorter rope end through the eye bolt (shorter rope end = loaded rope end, on which a person is suspended) the descent will be blocked and the person cannot be lowered to the ground.

- Only run the longer, unloaded rope end through the eye bolts!



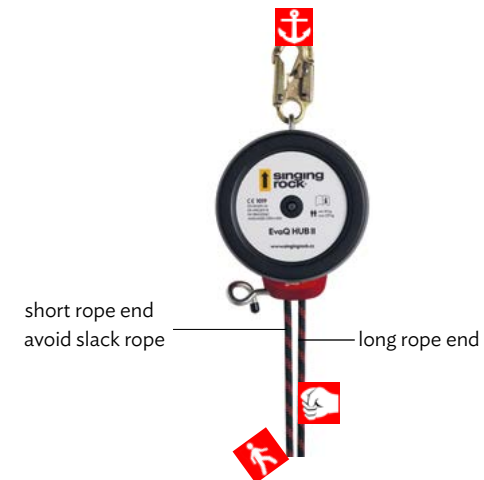
CAUTION



DANGER



CAUTION



short rope end
avoid slack rope

long rope end

CORRECT

3.3 Abseiling with EvaQ HUB II with rope clamp

3.3.1 Simple Abseiling passive



1

Attach the rescue device to a proper anchor point.



2

In both ways: using the eye bolt located on the side of the unloaded rope end will add friction when you hold back the unloaded rope end. This way you can reduce speed manually.

Use of the rope clamp



1

In both ways: you can block the device after stopping by running the rope out of the device making a U-turn to the eye bolt and back through the rope clamp as shown (grab the handwheel while doing this).

3.3.2 Simple Abseiling active / EvaQ HUB II with rope clamp



1

Attach the short rope end to a proper anchor point.



2

Connect the rescue device to the correct D-ring(s) of the harness.



3

For ergonomic rope handling and to create additional friction use the third eye bolt. This way the rope runs from bottom to top.



4

You can block the device after stopping by running the rope out of the device making a U-turn to the eye bolt and back through the rope clamp as shown (grab the handwheel while doing this).

3.4 No move during lifting

If it happen that you no longer move during the lifting (caused by dirt, moisture, wear... on the rope) you only need to pull on the opposite rope. Afterwards the lifting process can continue smoothly.



3.5 Application under EN 12841

The following work steps on the device may only be carried out if the device is used in accordance with EN 12841!

3.5.1 EvaQ HUB II - INSERT THE ROPE



Necessary tool:



slotted screwdriver

Method:

1



3



2



4

If you feel a counter-pressure when turning, the rope must be removed from the unit and re-threaded into the device.
Repeat this process until the rope can be seen at the other end. You can now proceed as described in point 5.



5



3.5.2 EvaQ HUB II - CHANGE THE ROPE GUIDE



6



Necessary components: Set 14, Item number 86512



2 X

for rope Ø 9.6–10.5 mm

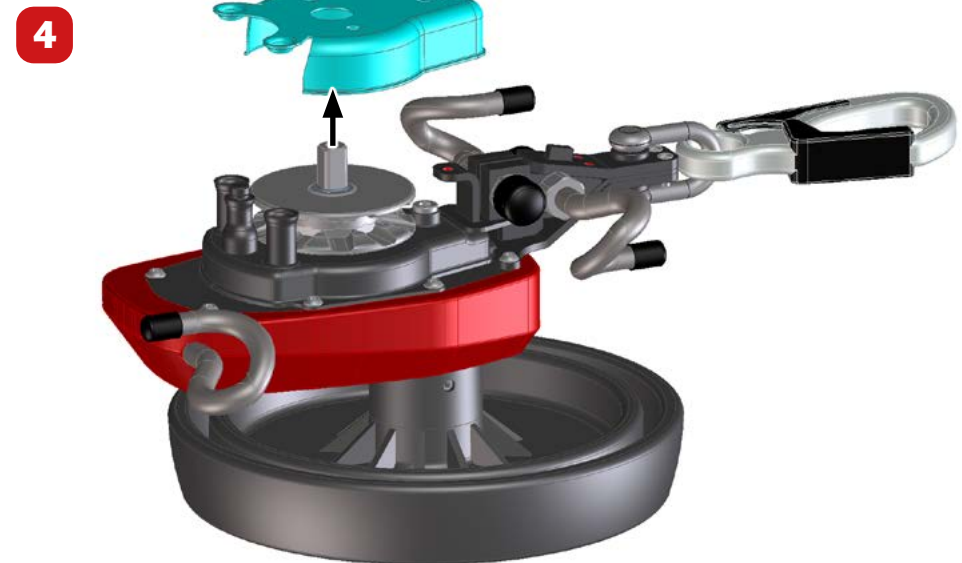
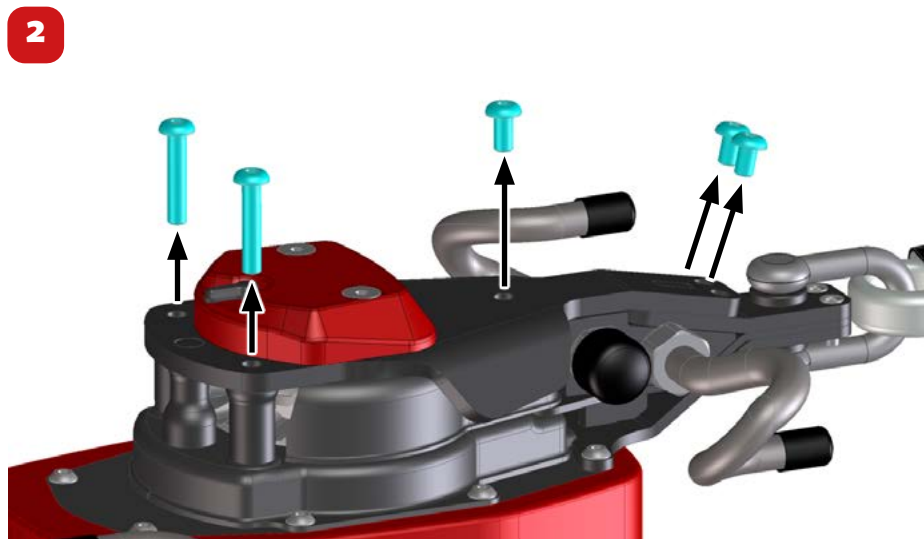
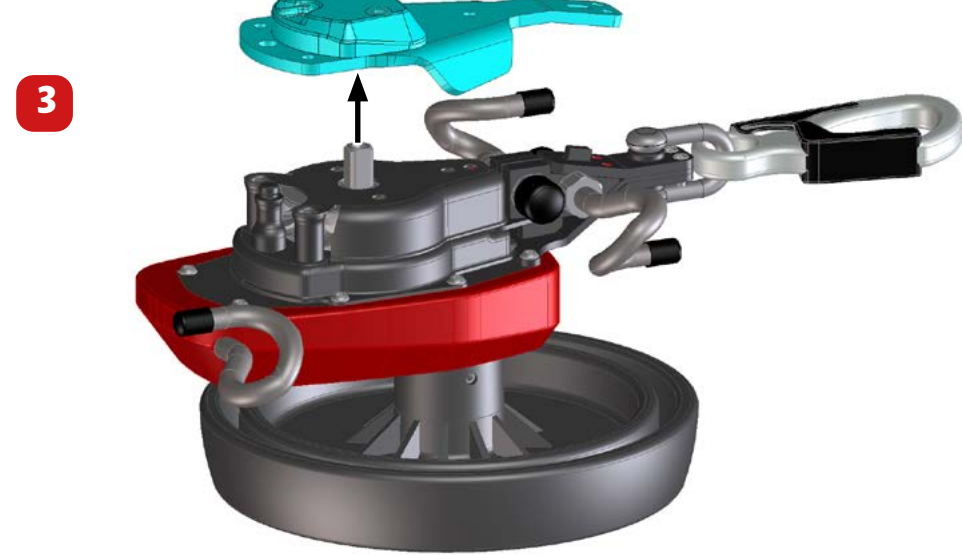
oder



2 X

for rope Ø 10.5–11 mm

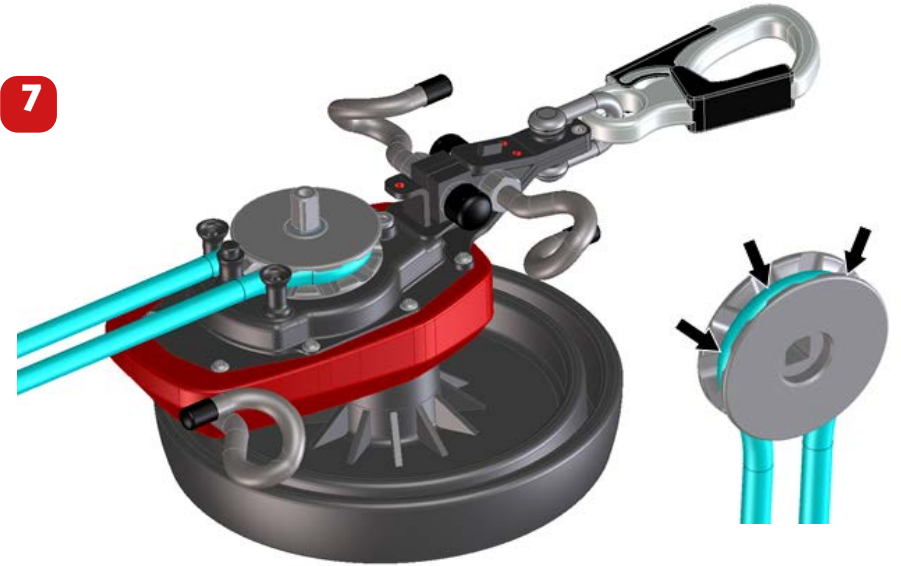
Method:



5



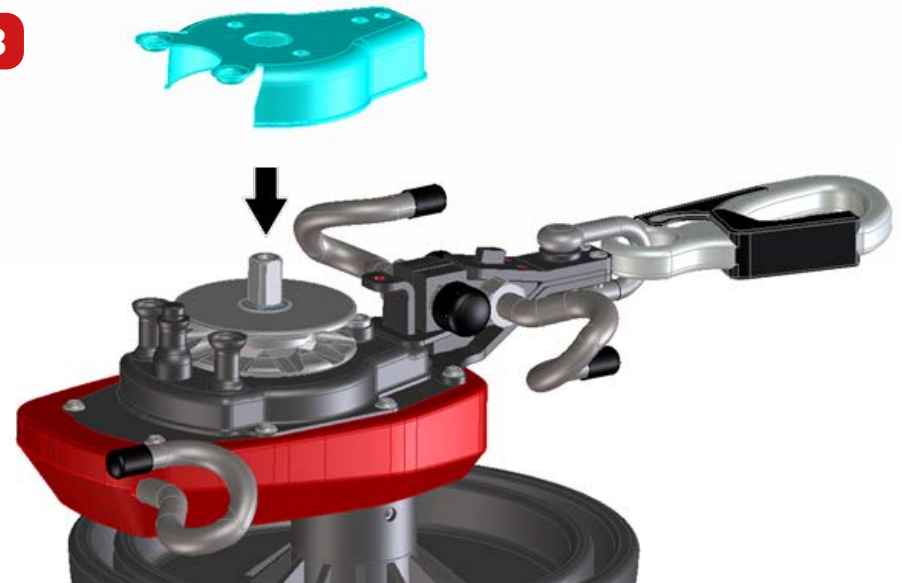
7

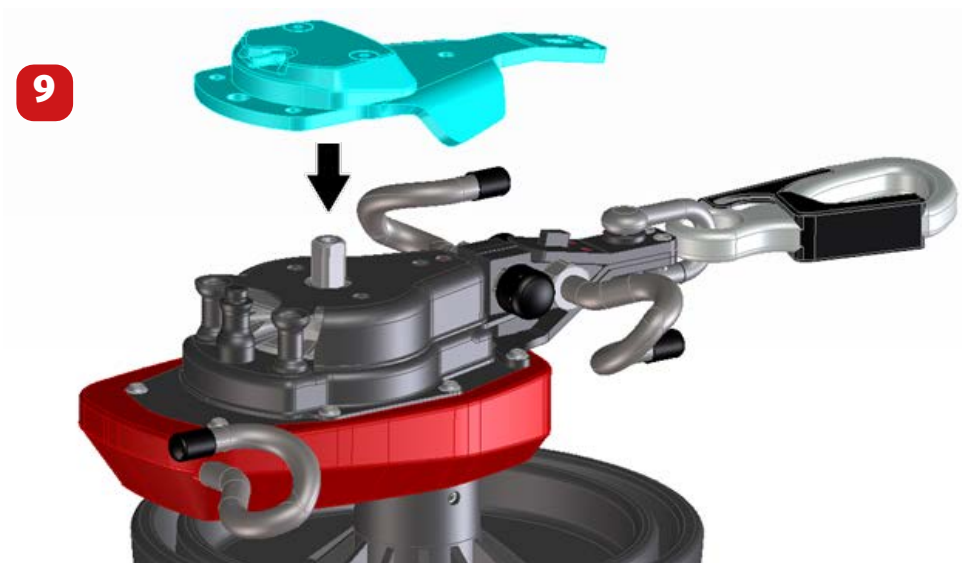


6



8





3.6 Anchor device

Attachment on anchor device

Improper attachment on an anchor device may lead to falls resulting in severe injuries or death.

- Inspect the anchor at least once a year.
- Only use anchors that correspond the requirements of PPE.

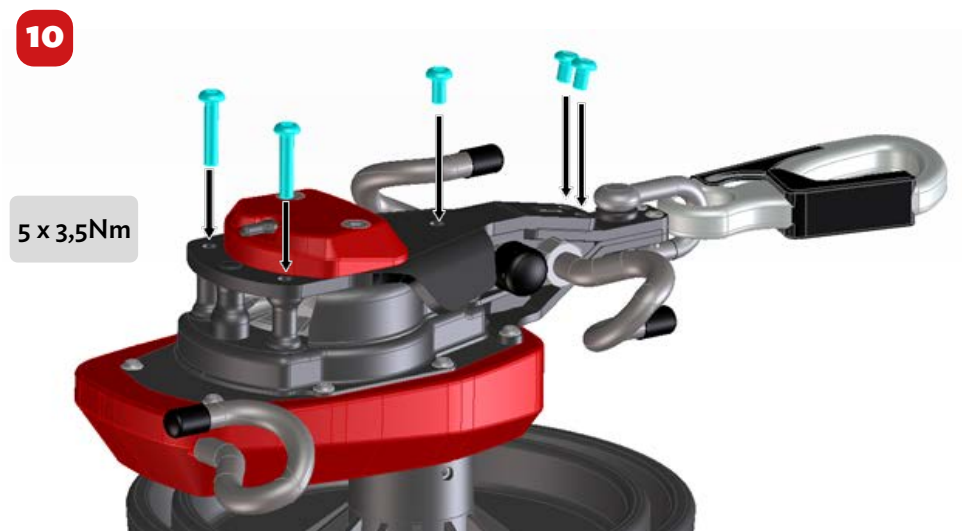
Anchor devices are necessary in places that present falling hazards (acc. to §72 AAV). The building planner/owner is responsible for the positioning and installation of anchor devices according to the applicable legal requirements, norm and rules.

Buildings and plant structures have to present appropriate load capacities. According to the applicable standards the following (static) loads are installed in the building.

- Restraint systems 4 kN
- Fall protection systems 12 kN

On www.singingrock.com you will find the following documents available for download:

- checklist for installation and regular inspection
- checklist inspection protocols
- installation protocol and sub-structure checklist



3.7 Training

The customer and user must take care that he has understood the functionality of this product and all safety notes and knows how to safely use this product. He must complete a training on correct use, installation, inspection, maintenance and use limitations before using this product. He should repeat the training regularly without endangering trainees or users.



Training inspection requirements for this product must be followed (see inspection and maintenance).

Trainings are an important part of SINGING ROCK products and services. No protective equipment will save you from injury or death if you do not know how to use it properly.

In order to ensure your safety, we offer trainings where you can learn how to safely operate this product.

For further information please contact us at +420 481 585 007.

3.8 EvaQ case with sealing

If used as an emergency equipment, this product (= EvaQ case with sealing) has a lifetime of 10 years. After a max. of 10 years textile parts must be replaced and metal parts must be inspected by SINGING ROCK. The EvaQ case with sealing has to be inspected at least once a year but in any case before each use (damage, humidity etc.) from a competent person. If this box is damaged, it must be sent to SINGING ROCK or authorized partner for inspection.



3.9 Lifetime and period of use

Conditions of use and other factors may influence its useful life. You may therefore even have to repair or retire this product earlier (see below).

The shorter the descent height, the more often the rope will run through the descender device until the device has to be inspected. Short descent heights will therefore wear off the rope. Wear-off is also induced by other factors such as maintenance, sharp edges, chemical and mechanical influences etc. After max. 100 descents the rope has to be changed. Abrasion and usage have to be regularly checked. If the rope does not seem safe anymore, send the device to SINGING ROCK or a authorized person to check and replace the rope.

Information on work according to EN 341:2011 -1A

- work capacity: 7 500 000 Joule

$$\text{work } W = m \times g \times h \times n$$

W = work in Joule (J)

m = load capacity (weight of the person) (kg)

g = gravity 9.81 m/s²

h = descent height in meter (m)

n = number of descents

Possible influencing factors

- extreme use conditions
- mechanical and chemical damage
- environmental factors
- inappropriate storage and transport

Recommended max. lifting distance

During lifting, descender device and rope are under more stress than during descending. Frequent use of the lifting function may lead to slip. Normally, this is not dangerous and you can descend safely to the ground. The maximum lifting distance should however not be more than 4 times the rope length. Make sure to check rope abrasion accordingly.

4 TRANSPORT AND STORAGE

Observe these safety notes to ensure safe storage and transport of this product.



NOTE

- Always make sure that there is no liquid in the metal housing (otherwise dry the device and the rope before using it).
- Always store this product in a dry, proper place and keep it away from mechanical (e.g. sharp edges) or chemical (e.g. acids, gases) hazards, store it at room temperature and protected from light (UV radiation).
- When drying this product, always put it with the brake drums upwards to avoid humidity in the housing.
- Store and transport this product in its original (or an equivalent) packaging.
- Check the packaging regularly (holes etc.); especially, if the product is used as an emergency equipment (= sealed in special packaging).

5 MAINTENANCE

5.1 Repairs

Product changes

Repairs, adjustments or changes to this product that have not been authorized by SINGING ROCK can lead to severe accidents and falls.

- Changes (e.g. change of the rope length) and repairs have to be performed by SINGING ROCK or its authorized partner.

If you are not sure if this product can be used any more, do not use it but send it to SINGING ROCK or an authorized partner for inspection.

5.2 Cleaning

- Clean the metal parts with a wet towel.
- Never tumble-dry, never let it dry in the sun or over a heat source.
- Air-dry this product in an airy, shaded place.
- Rinse the rope with warm water and wipe it with a dry towel afterwards.
- Never disinfect the rope.
- Never use chemical detergents.

5.3 Disinfection

Disinfection of this product is prohibited. In case of contamination, retire this product environmentally-friendly.

6 INSPECTION



DANGER

Inspection

Using this product without checking it for possible damage can lead to severe accidents or death.

- Always perform a visual and functional inspection of this product before and after each use.
- If you are not sure if this product can be used safely any more, do not use it.

Inspection by SINGING ROCK or an authorized partner is only valid under the proviso that

- this product has not been subjected to a fall,
- components of this product have not been modified,
- textile parts have not been contaminated with chemicals,
- this product has not been exposed to temperatures under $-40\text{ }^{\circ}\text{C}$ or over $+65\text{ }^{\circ}\text{C}$,
- metal parts have not fallen to the ground from more than 2m.

6.1 Functional inspection

- Check if metal parts (carabiner, housing) are damaged.
- Check if nuts and bolts are fixed.
- Check if the rope has cracks or other visual or palpable damage.
- Check if the rope runs smoothly. Pull both rope ends slowly one after the other. If you feel slight resistance, the product works.
- Check the fly wheel brakes. Pull both rope ends quickly one after the other. The rope must slide out smoothly without audible mechanical noises.



NOTE

6.2 Regular inspections

After having been subjected to a fall, this product has to be sent to SINGING ROCK for inspection. Don't forget to give us all necessary information (where and how this product has been damaged). The results must be noted in the inspection protocol. Always keep the inspection protocol and the instructions for use with the product.

The frequency of inspections depend on use intensity and may vary according to the conditions and environment in which this product is used. If this product is subject to increased use, you may have to inspect it more than once a year.

This product has to be inspected **at least once a year**, but in any case after maximum descent distance written on page 10 by SINGING ROCK or an authorized partner. Note the operated distances in the use protocol.

If this product is used as emergency equipment (kept in EvaQ case with sealing and not being used), it has to be inspected by SINGING ROCK after a max. of 10 years. Textile components have to be replaced. If this product is used as an emergency equipment, the packaging has to be checked regularly and, if damaged, the packaging and the product have to be sent to SINGING ROCK.

6.3 Inspection and maintenance

EvaQ Hub II descender, rescue and lifting device has been designed for harsh work environments. In order to ensure lifetime and period of use, all components have to be checked accordingly.



NOTE

Always perform a visual inspection before using this product. This product has to be inspected by SINGING ROCK or an authorised partner once a year. Comply with intervals and inspections regulations as indicated in the table below.

Descender, rescue and lifting device Inspection criteria	Inspection required by user	Inspection required by competent person	Inspection required by SINGING ROCK or authorized partner	Inspection required only by SINGING ROCK
For a properly stored, not used device... EvaQ case with sealing	before use, afterwards contact competent person	check packaging at least once a year according to inspection information	inspection of equipment in case of faulty packaging (humidity)	after expired lifetime period of packaging (10 years)
For training devices and devices used for standard activities (no emergency operations) ...	before and after each use		at least once a year and after maximum descent distance, see point 2.5 on page 12	if device got overloaded or dropped
For devices used in emergency operations ...			Immediately take it out of operation and carry out an inspection	Immediately take it out of operation (if device has been dropped)

If you use this product in very harsh environments (extreme weather and use conditions, heavy descents and liftings) you have to reduce the inspection period in a proper way.

7 RETIREMENT

- You have to retire this product if SINGING ROCK or a competent person has stated that use is not safe.
- Retire the product in such a way that it cannot be used anymore.
- Retire this product in an environmentally friendly way. Separate materials!
- Dispose of the product only in accordance with the applicable national regulations.

8 RESALE

- To ensure safe and correct use, this product may only be resold with the instructions for use and the inspection protocol.
- The instructions for use and the inspection protocol must be available in the official language of the buyer. This is within the seller's responsibility.

9 ACCIDENTS

The following information should help you avoid accidents. However, this information does not replace experience, responsibility and know-how and does not release you from assuming personal risk.

- Prepare a rescue plan and indicate all possible rescue measures for any given emergency situations.
- Check use and fall area before using this product and alleviate or secure them.
- In a rescue situation communication between all involved persons has to be ensured.

9.1 Suspension trauma

Suspension trauma

Falling into the rope, a long descent or being suspended for a long period can induce suspension trauma (orthostatic shock). A suspension trauma can have lifelong detrimental effects on your health and even lead to death.

- Rescue the injured person quickly.
- Perform the correct first aid measures.

How do I know it's a suspension trauma?

- Paleness
- Sweating
- Shortness of breath
- At the onset: increased pulse rate
- Narrowing of vision
- Dizziness
- Nausea
- Later drop in pulse rate and blood pressure



A suspension trauma is a medical emergency!

- **Call the ambulance!**
- Free the injured person from the suspended position.
- Position the injured person with raised upper body (sitting up or squatting).
- Open straps and tight clothes.
- Monitor cardiovascular and respiratory system.
- If the casualty has no signs of life start with CPR.

If the injured person is suspended but able to move, tell him: Kick one foot with the other. Point the toes. However, this exercise will keep the blood circulation going for a short time (some minutes).

(Source: BG/GUV-I 869)

10 LEGAL INFORMATION

- Do not remove labels or other markings from this product.
- Use an inventory number for this product. Enter the inventory number in the inspection protocol.
- This product has a serial number. The serial number is entered on the instruction use and on the product.

10.1 Declaration of conformity

The manufacturer, SINGING ROCK s.r.o., Poniklá 317, 514 01 Poniklá, Czech Republic, hereby declares that this product („EvaQ HUB II”)

- conforms with the safety regulations for PPE against falls from a height (Cat. III/PPE Regulation (EU) 2016/425) and abides by the following standard

EN 1496:2017 Klasse B

EN 12841 Typ C

ANSI Z359.4:2013

- is identical with the PPE against falls from a height inspected by the accredited testing, inspection and certification body Allgemeine Unfallversicherungsanstalt, Walter Business Park – Objekt 77, IZ NÖ-Süd, Straße 15, 2351 Wiener Neudorf
Identification number 0511
- is subject to the quality management system under the control of the accredited testing, inspection and certification body VVUÚ, a.s., Pikartská 1337/7, 716 00 Ostrava, Czech Republic with the number
Identification number 1019

10.2 Product liability

SINGING ROCK does not assume liability for any direct, indirect consequences or consequences associated with accidents that result from improper use of this product or from false information made by a competent person or fitter on the test protocol or acceptance protocol.

10.3 Copyright

The layout, visuals, pictograms, photos and any other information in these instructions for use are protected by copyright.

10.4 Trademarks

All trademarks are the property of their respective owners.

11 DECLARATION OF CONFORMITY

EU declaration of conformity is available on www.singingrock.com

ČESKY

1 FPRO VAŠI VLASTNÍ BEZPEČNOST

Činnosti vyžadující použití tohoto výrobku mohou být nebezpečné. Kromě toho je možné tento výrobek použít nesprávně mnoha způsoby a není možné je všechny vyjmenovat nebo vymyslet.

Tento návod k použití vám poskytne informace o vaší bezpečnosti a o výrobku a jeho použití. Tyto informace a bezpečnostní pokyny však nenahrazují osobní zkušenost, znalost výrobku a vlastní zodpovědnost.

Podrobné bezpečnostní předpisy a popisy najdete v následující kapitole a na začátku každé kapitoly. Pečlivě si je přečtěte a ujistěte se, že jim rozumíte. Pokud potřebujete další informace nebo si nejste jisti, jak tento výrobek používat, obraťte se na společnost SINGING ROCK. Rádi vám pomůžeme.

Tento výrobek je nejmodernější a odpovídá všem platným technickým normám a směrnicím.

1.1 Použité symboly

V tomto dokumentu jsou použity bezpečnostní předpisy následujících kategorií: **NEBEZPEČÍ**, **VAROVÁNÍ**, **POZOR** a **TIP**. Dodržujte bezpečnostní pokyny, abyste předešli zranění osob nebo poškození výrobku.



NEBEZPEČÍ

NEBEZPEČÍ znamená, že je velmi pravděpodobné, že dojde k úmrtí nebo vážnému zranění, pokud dojde k nehodě nebo pokud nezabránete nebezpečné situaci.

- Abyste předešli vážnému zranění nebo smrti, je nutné dodržovat všechny bezpečnostní pokyny označené **NEBEZPEČÍ**.



VAROVÁNÍ

VAROVÁNÍ znamená, že hrozí smrt nebo vážné zranění, pokud dojde k nehodě nebo pokud nezabránete nebezpečné situaci.

- Abyste předešli vážnému zranění nebo smrti, je nutné dodržovat všechny bezpečnostní pokyny označené **VAROVÁNÍ**.



POZOR

POZOR znamená, že může dojít ke středně těžkým nebo lehkým zraněním, pokud dojde k nehodě nebo nepředejete nebezpečné situaci.

- Aby se předešlo středně těžkým nebo lehkým zraněním, je nutné dodržovat všechny bezpečnostní pokyny označené **POZOR**.



TIP

TIP upozorňuje na možné poškození výrobku nebo jiných vlastností, pokud dojde k nehodě nebo pokud nezabránete nebezpečné situaci.

- Aby nedošlo k poškození výrobku nebo jiných vlastností, je nutné dodržovat všechny bezpečnostní pokyny označené **TIP**.

1.2 Požadavky na uživatele

- Před použitím tohoto výrobku si důkladně přečtěte tento návod k použití. Tento výrobek smíte používat pouze po přečtení a pochopení tohoto návodu k použití.
- Tento výrobek smí být používán pouze jako sestupové a záchranné zařízení nebo pro pracovní polohování osob podle normy EN 12841-C.
- Tento výrobek mohou používat maximálně dvě osoby najednou.
- Tento výrobek smíte používat pouze tehdy, pokud jste k tomu psychicky a fyzicky způsobilí.
- Vybavení OOP je osobní vybavení každého uživatele.

1.3 Vizuální a funkční kontrola

- Každoroční vizuální a funkční kontrolu musí provést společnost SINGING ROCK nebo autorizovaný partner. Pro tyto účely společnost SINGING ROCK nabízí školení.
- Tento výrobek musí být uživatelem před a po použití zkontrolován (např. poškození lana apod.).
- Pokud byl výrobek vystaven velkému zatížení (např. v důsledku pádu), musí být zaslán společnosti SINGING ROCK k revizi. Nezapomeňte nám poskytnout všechny nezbytné informace (kde a jak byl výrobek poškozen).
- Pokud se vám používání tohoto výrobku již nezdá bezpečné (např. poškozené lano apod.), zašlete jej společnosti SINGING ROCK nebo autorizovanému partnerovi k revizi a opravě. Výrobek nepoužívejte!
- Pečlivě vyplňujte zkušební protokol. Každá revize musí být zaznamenána

1.4 Použití

- Životnost kovových částí tohoto výrobku je neomezená. Textilní součásti (např. lana a lanyardy) je nutné vyměnit po uplynutí maximálně 10 let od výroby.
- Tento výrobek se během sestupu zahřívá. Pokud se budete dotýkat krytu nebo držet dlouhý konec lana během sestupu, můžete se popálit.
- Pokud se nelze vyhnout styku lana s ostrými hranami (poloměr < 3 mm), vždy použijte chránič lana, který lano ochrání před poškozením nebo přetržením.
- Před sestupem tento výrobek vždy připevněte ke kotevnímu zařízení podle normy EN 795.
- Nezavádějte zatížený konec lana skrze oka pro dodatečné tření. To by zastavilo sestup.
- Tento výrobek smí být používán pouze v kombinaci s testovanými a certifikovanými výrobky (podle platných norem pro osobní ochranné prostředky proti pádům z výšky).
- Tento výrobek smíte přeprodat pouze tehdy, pokud je k němu přiložen návod k použití v příslušném jazyce dané země a kompletní zkušební protokol.
- Protokol o použití je nutné vyplnit po každém použití.
- Slaňovací a záchranné prostředky, které jsou ukládány na pracovišti, musí být zakryty proti vlivům prostředí.

1.5 Skladování a přeprava

- Skladujte tento výrobek na suchém a čistém místě, chráněném před mechanickým (např. ostré hrany) a chemickým rizikem poškození (např. kyseliny, plyn) při pokojové teplotě a chráněném před světlem (např. UV).
- Tento výrobek skladujte a přepravujte v původním nebo tomu odpovídajícím obalu. Lano skladujte volně svinuté do tvaru 8, abyste předešli zauzlení, které by mohlo způsobit zablokování zařízení.

1.6 Údržba

- Opravy může provádět pouze společnost SINGING ROCK nebo její autorizovaný partner.
- Pokud byl tento výrobek vystaven pádu, musí být všechny součásti zkontrolovány a v případě potřeby vyměněny společností SINGING ROCK.
- Tento výrobek se nesmí sušit v bubnové sušičce, na slunci nebo nad zdrojem tepla (např. radiátorem) -> Tento výrobek sušte na vzduchu na vzdušném, stinném místě.
- Tento výrobek (zejména lano) se nesmí dezinfikovat ani impregnovat.
- Při čištění výrobku nepoužívejte chemické prostředky.
- Tento výrobek musí být zkontrolován společností SINGING ROCK nebo autorizovaným partnerem alespoň jednou ročně, v každém případě však po uplynutí maximální délky slanění uvedené na straně 10. Délku slanění zadávejte do protokolu o použití.

1.7 Nehody a záchranný plán

- K traumatu z visu může dojít následkem pádu do lana, při dlouhém sestupu nebo pokud je osoba dlouho bezmocně zavěšena v úvazku.
- Před použitím tohoto výrobku si připravte záchranný plán s uvedením všech možných záchranných opatření pro případ nouze.
- Před použitím tohoto výrobku zkontrolujte oblast použití a dopadu a ujistěte se, že jste zajistili, zmírnili nebo odstranili možná nebezpečí.

2 PŘEHLED VÝROBKU



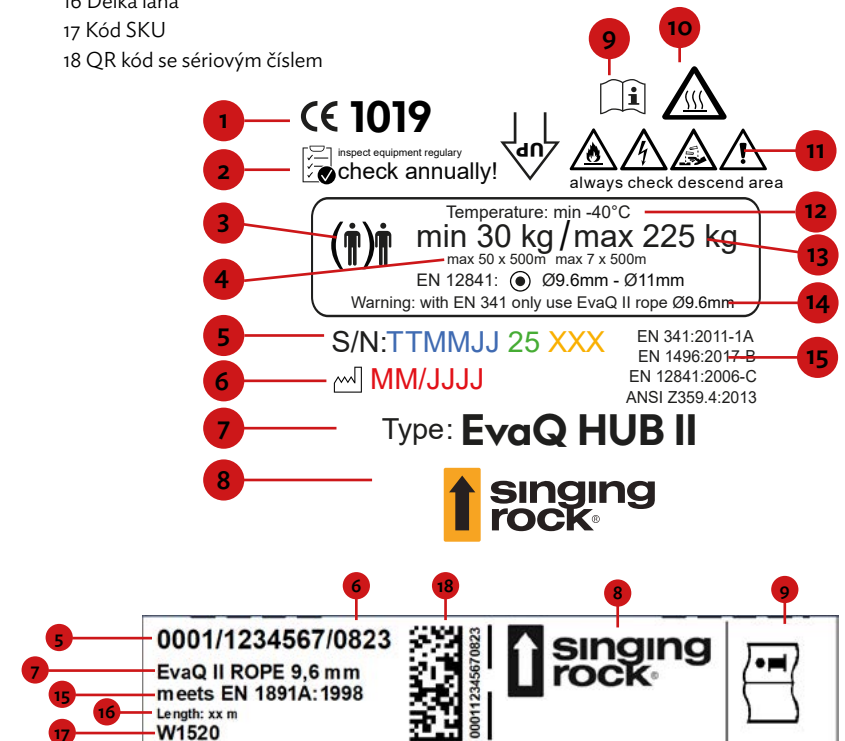
2.1 Technické údaje

- Certifikováno podle EN 341:2011 třída 1A (2 osoby), EN 1496:2017 třída B (2 osoby), ANSI Z359.4:2013 (1 osoba), EN 12841:2006 typ C (1 osoba).
- Hmotnost (bez lana): 3,8 kg (EvaQ HUB II)
- Lano pro EN 341, EN 1496 a ANSI Z359.4:2013: EvaQ 9,6 mm, (EN 1891 A)
- Lano pro EN 12841: lano s opláštěným jádrem Ø 9,6 mm až Ø 11 mm (EN 1891 A)
- Sestupové / zdvihací zatížení max. 225 kg/min. 30 kg (EN: 2 osoby / ANSI: 1 osoba)
- Výška sestupu / zdvihu max. 500 m
- Rychlost sestupu cca 1,0 m/s při hmotnosti 85 kg a cca 1,5 m/s při hmotnosti 170 kg
- Možnost motorizovaného zdvihu pomocí akumulátorového šroubováku
- Možnost regulace sestupu pomocí vychýlení lana pomocí ok pro dodatečné tření
- Použití při teplotách v rozsahu -40 °C až +65 °C
- Zařízení lze použít v obou směrech pro zdvihání a slaňování.

2.2 Značení

Tento výrobek má na krytu vyryté sériové číslo. Sériové číslo najdete také na první straně tohoto návodu k použití.

- 1 Označení CE dozorového úřadu
- 2 Provádějte kontrolu pravidelně / alespoň jednou ročně
- 3 Max. počet osob při současném používání
- 4 Max. výška klesání podle normy (vícenásobné použití)
- 5 Sériové číslo
- 6 Rok a měsíc výroby
- 7 Název výrobku
- 8 Výrobce
- 9 Vždy si přečtěte návod k použití a dodržujte jej!
- 10 Varování: horký povrch
- 11 Vyhněte se sestupu do elektrických, tepelných, chemických nebo jiných nebezpečných oblastí
- 12 Teplotní rozsah použití
- 13 Maximální a minimální jmenovité zatížení
- 14 Kompatibilní velikosti a typy lan
- 15 Harmonizovaná norma
- 16 Délka lana
- 17 Kód SKU
- 18 QR kód se sériovým číslem



- Pro tento výrobek použijte inventární číslo. Zadejte inventární číslo do zkušebního protokolu.
- Neodstraňujte z tohoto výrobku štítky ani jiná označení.

2.3 Rozsah dodávky

- 1 ks EvaQ HUB II
- 1 ks lano vložené do pouzdra (délka dle objednávky)
- 1 ks obal
- 1 ks návod k použití včetně protokolu o použití a zkušebního protokolu

2.4 Příslušenství

Tento výrobek lze používat pouze v kombinaci s otestovanými a certifikovanými výrobky.

- Tento výrobek používejte pouze s otestovanými výrobky nebo s výrobky, které byly doporučeny pro EvaQ HUB II. Následující výrobky odpovídají příslušným normám pro osobní ochranné prostředky proti pádům z výšky.

Testované a certifikované produkty

Záchranný postroj/úvazek	EN 1497
Tlumič pádu	EN 355
Spojka	EN 362
Kotevní zařízení	EN 795
Celotělový úvazek	EN 361
Lanyardy	EN 354
Pracovní polohování	EN 358

Výše uvedené produkty jsou uvedeny na stránkách www.singingrock.cz. Pokud potřebujete více informací, pošlete nám e-mail nebo nám zavolejte..

2.5 Maximální délka sestupu doporučená výrobcem

- max. délka sestupu s 1 osobou do max. 75 kg: 10000 m
- max. délka sestupu s 1 osobou do max. 100 kg: 7500 m
- max. délka sestupu s 1 nebo 2 osobami do max. 150 kg: 5000 m
- max. délka sestupu se 2 osobami do max. 225 kg: 3500 m

Zatížení zařízení můžete snížit přesměrováním (viz 3.2).



VAROVÁNÍ

2.6 Záložní jištění

Školení není totéž, co nouzová situace! Při každém výcviku i lanovém přístupu musí být nainstalován záložní bezpečnostní systém. Nepředvídatelné události, technické nebo lidské selhání nelze nikdy vyloučit. Jako záložní bezpečnostní opatření můžete použít také druhý systém EvaQ HUB II.

2.7 Nasazení při záchraně

Po každém nasazení při záchraně musí být zařízení zkontrolováno společností SINGING ROCK nebo autorizovaným partnerem, aby bylo zajištěno jeho bezpečné používání. Doporučujeme používat jiné zařízení pro nácvik a jiné pro záchranné nasazení při záchraně.

2.8 Přetížení

Zařízení, která byla vystavena pádu nebo velkému zatížení, musí být vyřazena.



VAROVÁNÍ

Svorka lana: Aktivujete-li svorku lana, lze kolo s ručním pohonem otáčet pouze v jednom směru. Otáčejte ručním kolečkem opatrně, abyste zjistili správný směr otáčení. Nebezpečí: Pokud kolem otáčíte v nesprávném (blokováném) směru, může dojít k poškození kola nebo celého zařízení. V takovém případě je nutné, aby byla firmou SINGING ROCK nebo autorizovaným partnerem provedena revize zařízení.

2.9 Teplota

Tento výrobek lze používat v prostředí s teplotou v rozmezí -40 °C do +65 °C.

3 POUŽITÍ

Činnosti vyžadující použití tohoto výrobku mohou být nebezpečné. Dodržujte všechny pokyny týkající se nebezpečí a bezpečnosti. V případě pochybností nebo jakýchkoli dotazů nás neváhejte kontaktovat.

3.1 Zamýšlené použití

Tento výrobek smí být používán pouze jako záchranné, sestupové a zdvihací zařízení a pouze pro přepravu osob.

- Tento výrobek smí být používán pouze k určenému účelu, jak je definován v tomto návodu k použití, a pouze v kombinaci s otestovanými (certifikovanými) součástmi podle platných norem pro osobní ochranné prostředky. Jiné kombinace s necertifikovanými součástmi nejsou povoleny a mohou být nebezpečné.

Použití

Používání tohoto výrobku bez předchozího seznámení s tímto návodem k použití může vést k nehodám s následkem těžkých zranění nebo smrti.

- Před použitím tohoto výrobku si pečlivě přečtěte tento návod k použití.
- V případě pochybností nebo dotazů se obraťte na společnost SINGING ROCK.
- Po projetí 1 000 000 J nechte zařízení vychladnout na pokojovou teplotu.

Kontrola

Používání tohoto výrobku bez provedení vizuální a funkční kontroly může vést k nehodám s následkem těžkých zranění nebo smrti.

- Před použitím a po použití tento výrobek vždy zkontrolujte.
- Pokud si nejste jisti, zda lze tento výrobek bezpečně používat, nepoužívejte jej.

Ochrana hran

Pokud je lano vedeno přes ostrou hranu, může dojít k jeho poškození.

- U ostrých hran vždy používejte ochranu hran (např. ochrannou desku) nebo chrániče lana.

Riziko popálení

Tento výrobek (pouzdro a lano) se během sestupu zahřívá. Při delších sestupech hrozí nebezpečí popálení.

- Během dlouhých sestupů nebo po jejich ukončení se nedotýkejte pouzdra.
- Během sestupu se nedržte dlouhého konce lana.
- Používejte ochranné rukavice.

Tento výrobek nabízí řadu využití pro různé situace. Používání tohoto výrobku vyžaduje důkladné zaškolení odborníky, kteří byli na tento výrobek vyškoleni.

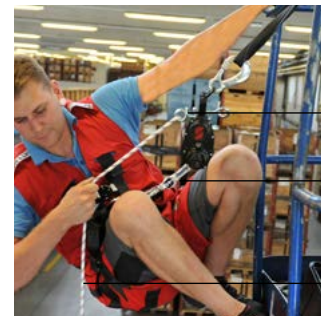


NEBEZPEČÍ



POZOR

3.2 Důležité pokyny pro použití oka pro dodatečné tření



Oko pro dodatečné tření

Kratší konec lana je nutno utáhnout
(lano nesmí být volné)

Delší konec lana vede skrz oko pro dodatečné tření.

Pomocí oka pro dodatečné tření můžete regulovat rychlost sestupu nebo ho zcela zastavit. Delší, nezatížený konec lana vede skrze oko pro dodatečné tření. Pokud přidržíte delší konec lana, můžete snížit rychlost sestupu nebo sestup zastavit. Pokud oka pro dodatečné tření nepoužijete, bude rychlost sestupu regulována automaticky dvěma setrvačnickovými brzdami (rychlost cca 0,8 m/s).

Používáte-li slaňovací zařízení jako kyvadlový systém, ujistěte se, že používáte oka pro dodatečné tření správně.

Standardní pravidlo: Oky pro dodatečné tření vedte pouze nezatížený, delší konec lana!

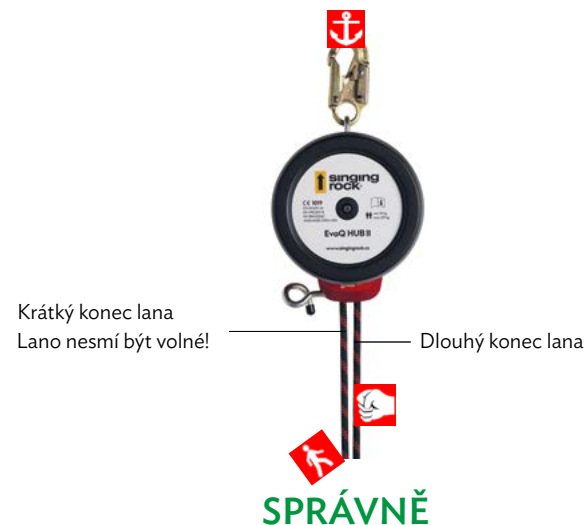


POZOR

Delší a kratší konec lana

Pokud kratší konec lana směřuje skrze oka pro dodatečné tření (kratší konec lana = zatížený konec lana, na němž visí osoba), bude sestup blokován a nebude možno spustit osobu na zem.

- Skrze oka pro dodatečné tření smí vést pouze delší, nezatížený konec lana!



3.3 Slanění se zařízením EvaQ HUB II s lanovou svorkou

3.3.1 Jednoduché pasivní slaňování



1

Připevněte záchranné zařízení k vhodnému kotevnímu bodu.



2

V obou směrech: použití oka pro dodatečné tření umístěného na straně nezátíženého konce lana zvýší tření, pokud budete přidržovat nezátížený konec lana. Tímto způsobem můžete ručně snížit rychlost.

Použití lanové svorky



1

Oběma směry: zařízení můžete po zastavení zablokovat tak, že lano vyvedete ze zařízení a otočíte do U k oku pro dodatečné tření a zpět skrz svorku lana, jak je znázorněno na obrázku (při tomto úkonu uchopte ruční kolo).

3.3.2 Jednoduché aktivní slaňování / EvaQ HUB II s lanovou svorkou



1

Krátký konec lana připevněte ke správnému kotevnímu bodu.



2

Připojte záchranné zařízení ke správnému bodu (bodům) postroje.



3

Pro ergonomickou manipulaci s lanem a vytvoření dodatečného tření použijte třetí oko pro dodatečné tření. Takto lano vede zdola nahoru.



4

Zařízení můžete po zastavení zablokovat tak, že lano vyvedete ze zařízení a otočíte do U k oku pro dodatečné tření a zpět skrz svorku lana, jak je znázorněno na obrázku (při tomto úkonu uchopte ruční kolo).

3.4 Žádný pohyb při zdvihání

Pokud se stane, že se během zdvihání již nehýbáte (může být způsobeno nečistotami, vlhkostí, opotřebením.... na laně), stačí zatáhnout za opačné lano. Poté proces zdvihání může plynule pokračovat.



3.5 Použití podle EN 12841

Následující pracovní úkony na zařízení lze provádět pouze v případě, že je zařízení používáno v souladu s normou EN 12841!

3.5.1 EvaQ HUB II - VLOŽENÍ LANA



Potřebné nástroje:



Šroubovák s drážkou

Metoda:

1



3

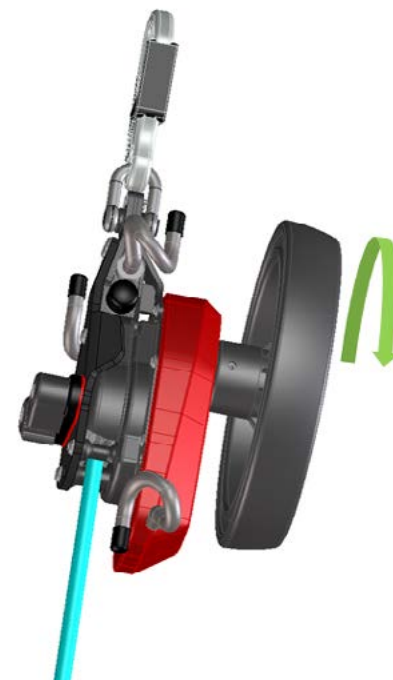


2



4

Pokud při otáčení pocítíte protitlak, je třeba lano ze zařízení vyjmout a znovu ho do něj vložit. Tento postup opakujte, dokud nebude lano vidět na druhém konci. Potom můžete postupovat podle bodu 5.



5



3.5.2 EvaQ HUB II - VÝMĚNA VODÍTKA LANA



6



Nezbytné součásti: Sada 14, číslo položky 86512



nebo



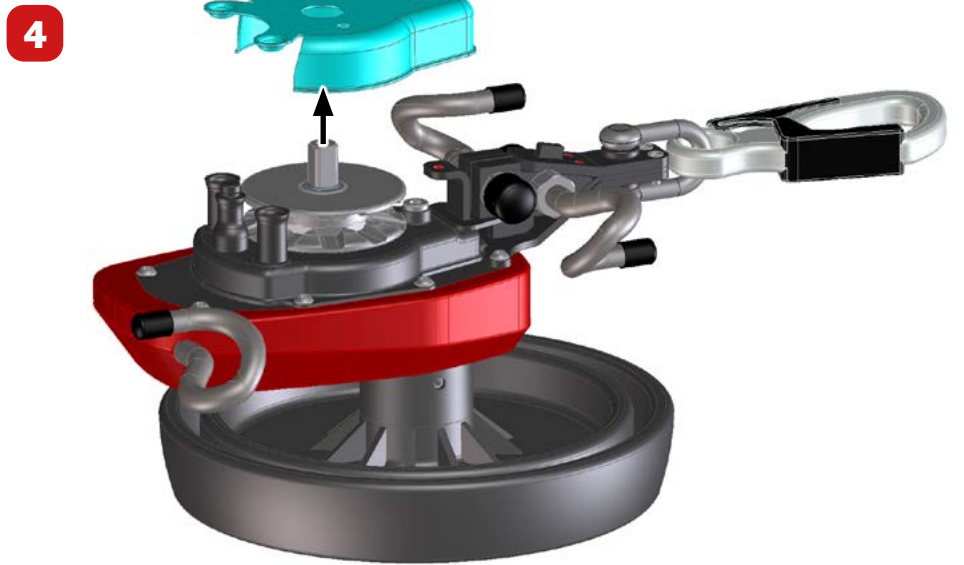
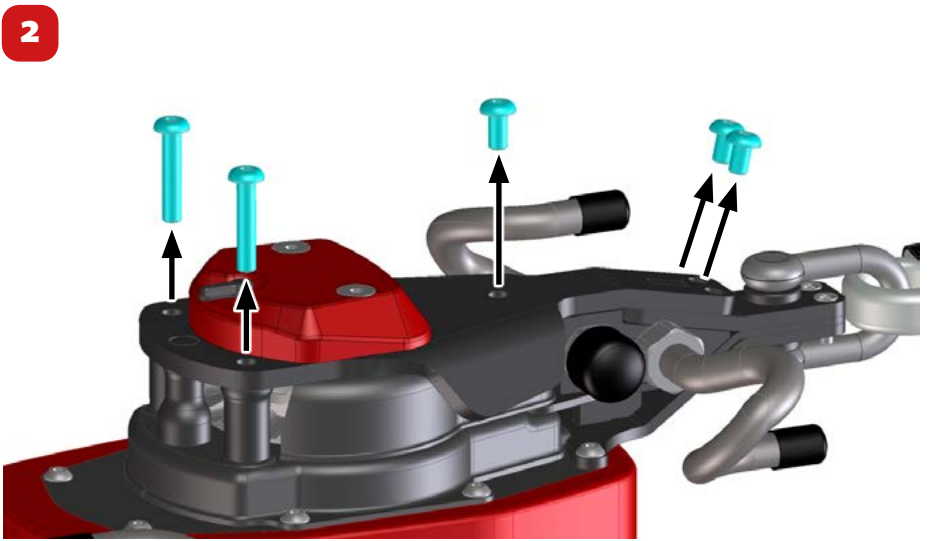
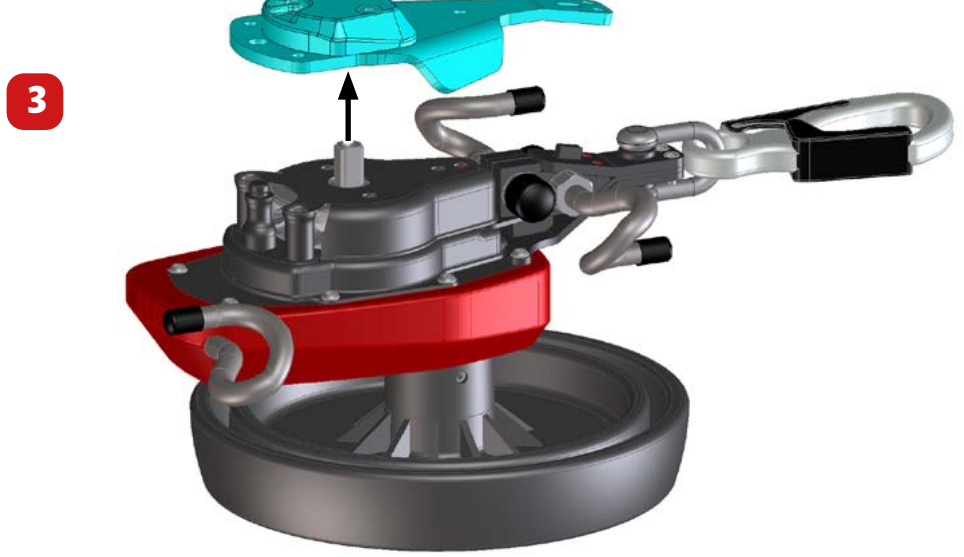
2 x

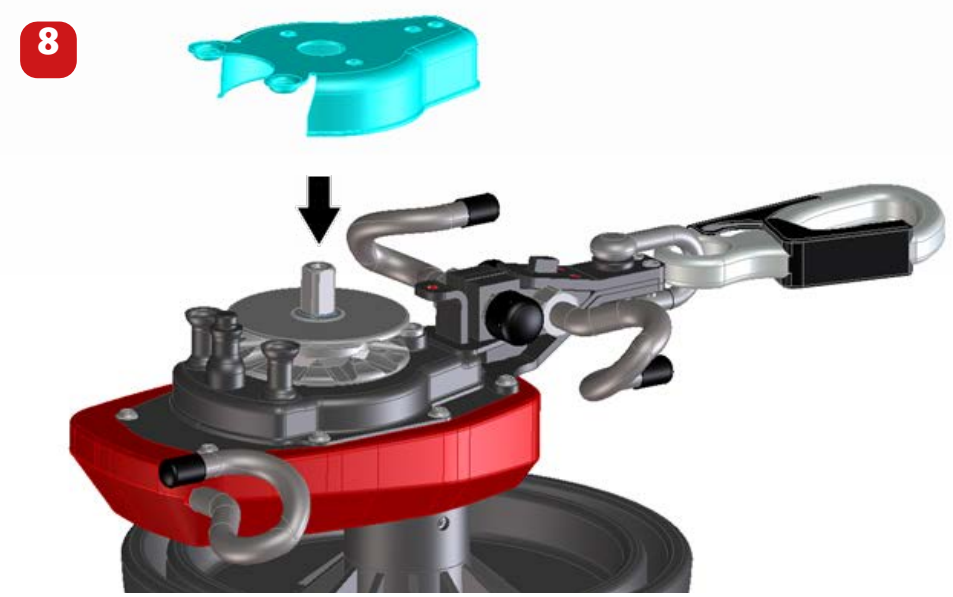
pro lano Ø 9,6–10,5 mm

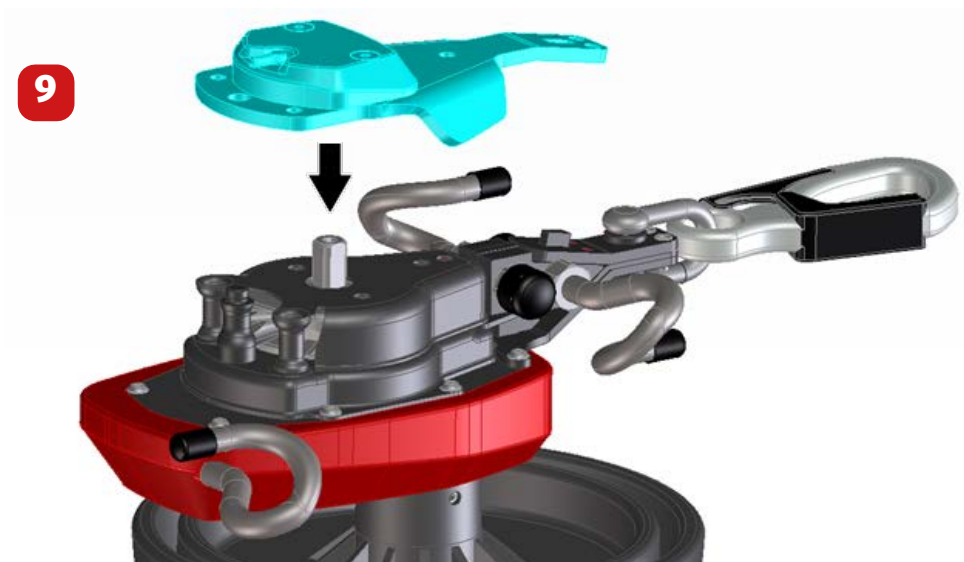
2 x

pro lano Ø 10,5–11 mm

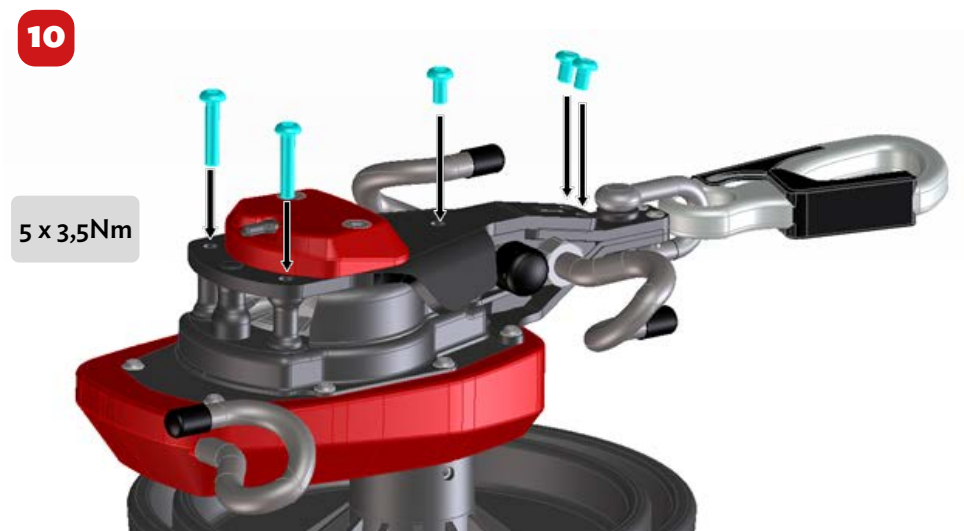
Metoda:







9



5 x 3,5Nm



VAROVÁNÍ

3.6 Kotevní zařízení

Upevnění na kotevní zařízení

Nesprávné upevnění na kotevní zařízení může vést k pádu s následkem těžkých zranění nebo smrti.

- Kotevní zařízení kontrolujte alespoň jednou ročně.
- Používejte pouze kotevní zařízení, která odpovídají požadavkům osobních ochranných prostředků.

V místech, kde hrozí nebezpečí pádu, je nutné použít kotevní zařízení (podle § 72 AAV). Za umístění a instalaci kotevních zařízení podle platných zákonných požadavků, norem a pravidel odpovídá projektant/majitel budovy.

Budovy a konstrukce zařízení musí vykazovat odpovídající nosnost. Podle platných norem jsou v budově instalována následující (statická) zatížení.

- Záchytné systémy 4 kN
- Systémy ochrany proti pádu 12 kN

Na adrese www.singingrock.com najdete ke stažení následující dokumenty:

- kontrolní seznam pro instalaci a pravidelnou kontrolu
- kontrolní seznam zkušebních protokolů
- protokol o instalaci a kontrolní seznam dílčí konstrukce

3.7 Školení

Zákazník/uživatel musí dbát na to, aby porozuměl funkčnosti tohoto výrobku a všem bezpečnostním pokynům a věděl, jak tento výrobek bezpečně používat. Před použitím tohoto výrobku musí absolvovat školení o správném používání, instalaci, kontrole, údržbě a omezeních používání. Školení by měl pravidelně opakovat, aniž by ohrozil školené osoby nebo uživatele.



TIP

Je nutné dodržovat požadavky na kontrolu školení pro tento výrobek (viz kontrola a údržba).

Školení jsou důležitou součástí produktů a služeb společnosti SINGING ROCK. Žádné ochranné pomůcky vás nezachráně před zraněním nebo smrtí, pokud nevíte, jak je správně používat.

Abychom zajistili vaši bezpečnost, nabízíme školení, kde se můžete naučit, jak tento výrobek bezpečně používat.

Pro další informace nás prosím kontaktujte na telefonním čísle +420 481 585 007.

3.8 Obal EvaQ s plombou

Pokud je tento výrobek používán jako nouzové zařízení (= obal EvaQ s plombou), má životnost 10 let. Po uplynutí maximálně 10 let je třeba vyměnit textilní díly a kovové díly musí být zkontrolovány společností SINGING ROCK. Obal EvaQ s plombou musí být zkontrolován nejméně jednou ročně, v každém případě však před každým použitím (poškození, vlhkost atd.) kompetentní osobou. Pokud je tento obal poškozen, musí být zaslán společnosti SINGING ROCK nebo autorizovanému partnerovi ke kontrole.



3.9 Životnost a doba používání

Podmínky používání a další faktory mohou ovlivnit jeho životnost. Může se proto stát, že budete muset tento výrobek opravit nebo vyřadit dříve (viz níže).

Čím menší je výška sestupu, tím častěji bude lano procházet sestupovým zařízením, dokud nebude nutné zařízení zkontrolovat. Krátké výšky sestupu proto způsobují opotřebení lana. Opotřebení je vyvoláno i dalšími faktory, jako je údržba, ostré hrany, chemické a mechanické vlivy atd. Po uplynutí max. 100 sestupů je třeba vyměnit lano. Oděr a opotřebení je třeba pravidelně kontrolovat. Pokud se vám lano již nezdá bezpečné, zašlete zařízení do společnosti SINGING ROCK nebo autorizované osobě, aby lano zkontrolovala a vyměnila.

Informace o práci podle EN 341:2011 -1A

- pracovní kapacita: 7 500 000 Joule

práce $W = m \times g \times h \times n$

W = práce v Joulech (J)

m = max.nosnost (hmotnost osoby) (kg)

g = gravitace 9,81 m/s²

h = výška sestupu v metrech (m)

n = počet sestupů

Možné ovlivňující faktory

- používání v extrémních podmínkách
- mechanické a chemické poškození
- faktory prostředí
- nevhodné skladování a přeprava

Doporučená maximální výška zdvihání

Při zdvihání jsou sestupové zařízení a lano namáhány více než při sestupu. Časté používání funkce zdvihání může vést k prokluzu lana. Za normálních okolností to není nebezpečné a můžete bezpečně slanit na zem. Maximální výška zdvihání by však neměla být větší než čtyřnásobek délky lana. Nezapomeňte náležitým způsobem zkontrolovat oděr lana.

4 PŘEPRAVA A SKLADOVÁNÍ

Abyste zajistili bezpečné skladování a přepravu výrobku, dodržujte tyto pokyny.



TIP

- Vždy se ujistěte, že se v kovovém pouzdru nenachází žádná tekutina (v opačném případě je nutno zařízení a lano před použitím vysušit).
- Výrobek vždy skladujte na suchém a čistém místě a mimo dosah zdrojů mechanického (např. ostré hrany) a chemického (např. kyseliny, plyny) poškození. Skladujte jej v pokojové teplotě a chraňte jej před světlem (UV zářením).
- Při sušení pokládejte výrobek brzdami nahoru, aby do pouzdra nevnikla vlhkost.
- Výrobek skladujte a přepravujte v původním (nebo jemu odpovídajícím) obalu.
- Obal výrobku pravidelně kontrolujte (díry atd.), zejména pokud výrobek používáte jako nouzové vybavení (= uzavřený ve speciálním obalu).

5 ÚDRŽBA

5.1 Opravy

Změny výrobku

Opravy, úpravy nebo změny tohoto výrobku, které nebyly autorizovány společností SINGING ROCK, mohou vést k vážným nehodám a pádům.

- Změny (např. změna délky lana) a opravy musí provádět společnost SINGING ROCK nebo její autorizovaný partner.

Pokud si nejste jisti, zda lze tento výrobek dále používat, nepoužívejte jej, ale zašlete jej společnosti SINGING ROCK nebo autorizovanému partnerovi ke kontrole.

5.2 Čištění

- Kovové díly očistěte vlhkým hadříkem.
- Nikdy je nesušte v bubnové sušičce, na slunci ani nad zdrojem tepla.
- Tento výrobek sušte na vzduchu na vzdušném, stinném místě.
- Lano opláchněte teplou vodou a poté ho otřete suchým hadrem.
- Lano nikdy nedezinfikujte.
- Nikdy nepoužívejte chemické čisticí prostředky.

5.3 Dezinfekce

Dezinfekce tohoto výrobku je zakázána. V případě kontaminace vyřadte tento výrobek z provozu a ekologicky zlikvidujte.

6 REVIZE



NEBEZPEČÍ

Revize

Používání tohoto výrobku, aniž byste předtím zkontrolovali, zda nedošlo k jeho poškození, může mít za následek závažné nehody nebo smrt.

- Vždy proveďte vizuální a funkční kontrolu tohoto výrobku před a po jeho použití.
- Pokud si nejste jisti, zda lze výrobek nadále bezpečně používat, nepoužívejte jej.

Revize výrobku provedená firmou SINGING ROCK nebo jejím autorizovaným partnerem je platná pouze pod podmínkou, že:

- výrobek nebyl vystaven účinkům pádu,
- na komponentech výrobku nebyly provedeny žádné úpravy,
- textilní součásti výrobku nepřišly do styku s chemikáliemi,
- výrobek nebyl vystaven teplotám nižším než $-40\text{ }^{\circ}\text{C}$ nebo vyšším než $+65\text{ }^{\circ}\text{C}$,
- kovové součásti výrobku nespadly na zem z výšky větší než 2 m.

6.1 Funkční kontrola

- Zkontrolujte, zda nejsou poškozeny kovové součásti (spojka, pouzdro).
- Zkontrolujte, zda jsou matice a šrouby pevně utaženy.
- Zkontrolujte, zda v lanu nejsou trhliny nebo zda není jinak viditelně či hmatatelně poškozeno.
- Zkontrolujte, zda lano hladce klouže. Zatáhněte pomalu za oba konce lana, jeden po druhém. Pokud cítíte slabý odpor, výrobek funguje.
- Zkontrolujte setrvačnickové brzdy. Rychle jeden po druhém zatáhněte za oba konce lana. Lano musí prcházet hladce bez slyšitelných mechanických zvuků.

6.2 Pravidelné kontroly

Pokud byl výrobek vystaven účinkům pádu, musí být zaslán společnosti SINGING ROCK revizi. Nezapomeňte nám poskytnout všechny potřebné informace (kde a jak byl výrobek poškozen). Výsledky musí být zaznamenány ve zkušební protokolů. Zkušební protokol a návod k použití si vždy uschovejte spolu s výrobkem. Četnost kontrol závisí na intenzitě používání a může se lišit v závislosti na podmínkách a prostředí, ve kterém se tento výrobek používá. Pokud je tento výrobek vystaven zvýšenému používání, může být nutné jej kontrolovat častěji než jednou ročně.



NEBEZPEČÍ



TIP

Tento výrobek musí být zkontrolován společností SINGING ROCK **minimálně jednou ročně**, ale v každém případě po proslanění maximální sestupné délky uvedené na straně 10, nebo autorizovaným partnerem. Vezměte na vědomí provozované vzdálenosti v protokolu o použití.

Pokud je tento výrobek používán jako nouzové zařízení (je uložen v obalu EvaQ s plombou a nepoužívá se), musí být po maximálně 10 letech zkontrolován společností SINGING ROCK. Textilní komponenty musí být vyměněny. Pokud je tento výrobek používán jako nouzové vybavení, musí být obal pravidelně kontrolován a v případě poškození musí být obal i výrobek zaslán společnosti SINGING ROCK.

6.3 Revize a údržba

Slaňovací, záchranné a zdvihací zařízení EvaQ Hub II bylo navrženo pro náročné pracovní prostředí. Aby byla zajištěna životnost a doba použitelnosti, musí být výrobek a všechny součásti odpovídajícím způsobem zkontrolovány.



TIP

Před použitím výrobku vždy proveďte vizuální kontrolu. Výrobek musí jednou ročně projít revizí prováděnou kompetentní osobou. Dodržujte intervaly a zkušební předpisy tak, jak jsou uvedeny v následující tabulce.

Slaňovací, záchranné a zdvihací zařízení Kritéria pro revizi	Revize vyžadovaná uživatelem	Revize vyžadovaná kompetentní osobou	Revize vyžadovaná společností SINGING ROCK nebo autorizovaným partnerem	Inspekci vyžaduje pouze SINGING ROCK
U správně uloženého, nepoužívaného zařízení... obal EvaQ s plombou	před použitím, poté kontaktujte kompetentní osobu	kontrola obalů alespoň jednou ročně podle informací o inspekci	kontrola zařízení v případě vadného obalu (vlhkost)	po uplynutí doby životnosti obalu (10 let)
U výcvikových zařízení a zařízení používaných pro standardní činnosti (bez nouzových operací) ...	před a po každém použití		alespoň jednou ročně a po proslanění maximální vzdálenosti, viz bod 2.5 na straně 48	pokud došlo k přetížení nebo pádu zařízení
Pro zařízení používaná při nouzových operacích ...			okamžitě jej odstavte z provozu a proveďte kontrolu	okamžitě jej vyřadte z provozu (pokud zařízení spadlo)

Pokud tento výrobek používáte ve velmi náročných podmínkách (extrémní počasí a podmínky používání, těžké sestupy a zdvihání), musíte provádět kontroly častěji.

7 VYŘAZENÍ VÝROBKU

- Tento výrobek je nutno vyřadit z používání, pokud firma SINGING ROCK nebo kompetentní osoba prohlásila, že jeho používání není bezpečné.
- Výrobek vyřadte z používání takovým způsobem, abyste zabránili jeho dalšímu použití.
- Výrobek vyřadte z používání způsobem, který je šetrný k životnímu prostředí. Třídte materiály!
- Výrobek likvidujte pouze v souladu s platnými vnitrostátními předpisy.

8 PŘEPRODEJ

- Abyste zajistili bezpečné a správné použití výrobku, smíte jej dále přeprodat pouze společně s Návodem k použití a zkušebními protokoly.
- Návod k použití a zkušební protokol musí být k dispozici v úředním jazyce kupujícího. To je odpovědností prodávajícího.

9 NEHODY

Následující informace by vám měly pomoci předejít nehodám. Tyto informace však nenahrazují zkušenosti, odpovědnost a know-how a nezabývají vás povinnosti převzít osobního rizika.

- Připravte si záchranný plán a uveďte všechna možná záchranná opatření pro dané nouzové situace.
- Před použitím tohoto výrobku zkontrolujte oblast použití a pádu a zajistěte je nebo zmírněte možná rizika.
- Při záchranné akci je třeba zajistit komunikaci mezi všemi zúčastněnými osobami.

9.1 Trauma z visu

Trauma z visu

Při pádu do lana, dlouhém sestupu nebo dlouhé době strávené ve visu hrozí trauma z visu (ortostatický šok). Trauma z visu může mít celoživotní škodlivé dopady na Vaše zdraví a může dokonce vést až k úmrtí.

- Zraněnou osobu zachraňte rychle.
- Proveďte správná opatření první pomoci.

Jak poznám, že se jedná o trauma z visu?

- Bledost
- Pocení
- Dušnost
- Na počátku: zvýšená tepová frekvence
- Ztráta periferního vidění
- Závrať
- Nevolnost
- Později pokles tepové frekvence a krevního tlaku



Trauma z visu představuje vážné ohrožení zdraví!

- **Zavolejte záchrannou službu!**
- Uvolněte zraněnou osobu z polohy ve visu.
- Umístěte zraněnou osobu do polohy se zvednutou vrchní částí těla (do sedu nebo dřepu).
- Uvolněte popruhy a těsné oblečení.
- Průběžně sledujte fungování kardiovaskulárního a dýchacího systému.
- Pokud postižený nejeví známky života, začněte s resuscitací.

Pokud je zraněný zavěšen, ale může se pohybovat, řekněte mu to: Kopej jednou nohou do druhé. Hýbej prsty u nohou. Toto cvičení ovšem udrží krevní oběh v chodu pouze po krátkou dobu (v minutách).

(Zdroj: BG/GUV-1 869)

10 PRÁVNÍ INFORMACE

- Neodstraňujte z tohoto výrobku nálepky či jiné značení.
- Přiřadte výrobku inventární číslo. Toto inventární číslo zaznamenejte do zkušebního protokolu.
- Tento výrobek je opatřen sériovým číslem. Sériové číslo je uvedeno v Návodu k použití a přímo na výrobku.

10.1 Prohlášení o shodě

Výrobce, SINGING ROCK s.r.o., Poniklá 317, 514 01 Poniklá, Česká republika prohlašuje, že tento výrobek („EvaQ HUB II“)

- odpovídá bezpečnostním předpisům pro osobní ochranné prostředky proti pádům z výšky (Kategorie III/Nařízení (EU) 2016/425) a splňuje následující normu

EN 1496:2017 Klasse B
EN 12841 Typ C
ANSI Z359.4:2013

- je totožný s OOP proti pádu z výšky, které byly zkontrolovány akreditovaným zkušebním, inspekčním a certifikačním orgánem Allgemeine Unfallversicherungsanstalt, Walter Business Park - Objekt 77, IZ NÖ-Süd, StraÙe 15, 2351 Wiener Neudorf
Identifikační číslo 0511

- podléhá systému řízení kvality pod kontrolou akreditovaného zkušebního, inspekčního a certifikačního orgánu VVUÚ, a.s., Pikartská 1337/7, 716 00 Ostrava, Česká republika

Identifikační číslo 1019

10.2 Odpovědnost za výrobek

Firma SINGING ROCK nenese odpovědnost za jakékoli přímé či nepřímé důsledky nehod, k nimž dojde z důvodu nesprávného použití tohoto výrobku nebo kvůli poskytnutí nesprávných či klamných informací ve zkušebním protokolu či protokolu o převzetí kompetentní osobou či montérem, případně za důsledky s těmito nehodami související.

10.3 Autorská práva

Uspořádání, obrazový materiál, piktogramy, fotografie a jakékoli další informace v tomto návodu k použití jsou chráněny autorskými právy.

10.4 Ochranné známky

Veškeré ochranné známky jsou majetkem příslušných vlastníků.

11 PROHLÁŠENÍ O SHODĚ

EU prohlášení o shodě je k dispozici na www.singingrock.com



NEBEZPEČÍ:

13 USAGE OVERVIEW (DOWNLOAD UNDER WWW.SINGINGROCK.COM)

PŘEHLED POUŽITÍ (KE STAŽENÍ NA WWW.SINGINGROCK.CZ)

Usage no. Použití č.	Date Datum	Usage in meters Využití v metrech	Signature of user Podpis uživatele

13 USAGE OVERVIEW (DOWNLOAD UNDER WWW.SINGINGROCK.COM)

PŘEHLED POUŽITÍ (KE STAŽENÍ NA WWW.SINGINGROCK.CZ)

Usage no. Použití č.	Date Datum	Usage in meters Využití v metrech	Signature of user Podpis uživatele

NOTES:

POZNÁMKY:

**SAFETY
FIRST**