

# GLUE IN ANCHOR

# RK703

Stainless steel permanent anchor point.

EN 959:07  
EN 795:12/A



Reading and understanding instruction for use are required to use this product!  
Bez důkladného pročetí a pochopení návodu k použití nepoužívejte tento výrobek

Material  
Materiál



stainless steel

Weight  
Váha



120 g  
4.23 oz

Strength  
Pevnost



30 kN



25 kN

Length  
Délka dráku

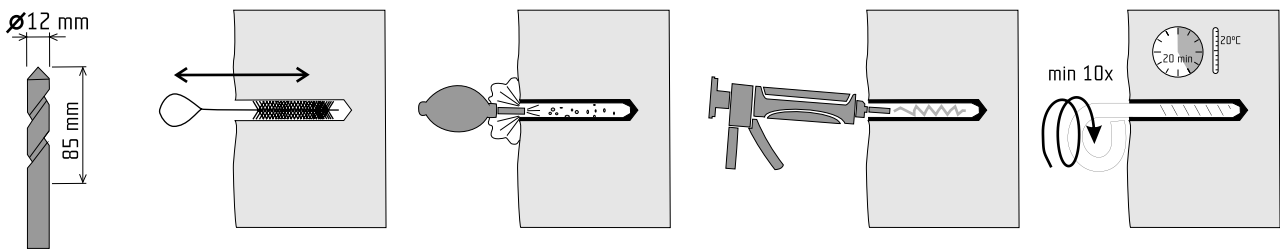


80 mm

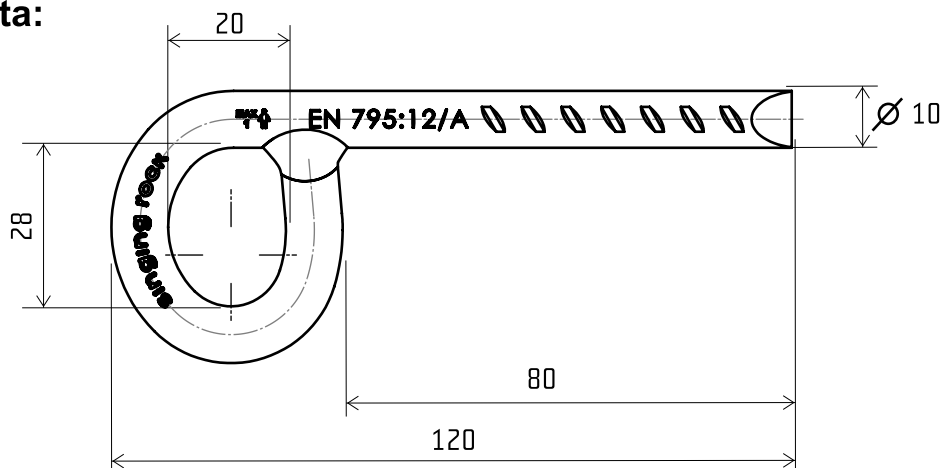
## Description:

- Strong, durable anchor point.
- This type of bolt works also in soft or pocketed stone.
- Smooth eye allows safe rope threading for retreat.
- Made of welded, grade AISI 316 stainless steel
- For drilled hole with diameter 12 mm.
- Recommended glue: UPM 44 or FIS 360V, resin capsule RM10.

## Installation:



## Technical data:



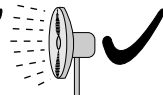
## Maintenance:



30°C



Ph 5,5 - 8,5



max 22°C

