

HANGER / HANGER WITH BOLT

Hanger plates and bolts for permanent anchor points. Available in two different materials and two bolt sizes.

DESCRIPTION

Bolts available in two diameters: 10 and 12 mm.



Hanger plates and bolts are made from zinc plated steel or stainless steel.

	Code	Material	∅ XX [mm]	L [mm]	T [mm]	WEIGHT [g]
	RK702XX10	A4 stainless	10	-	3	42
	RK702XX12		12			
	RK704XX10	Steel (zinc plated)	10	-	4	62
	RK704XX12		12			
	RK715XX10	A4 stainless	10	75	3	112
	RK715XX12		12			140
	RK716XX10	Steel (zinc plated)	10	75	4	100
	RK716XX12		12			125

STANDARDS

EN 795
EN 959

FEATURES



25 kN



15 kN



warranty

MATERIAL SPECIFICATION

● Zinc plated steel

recommended for indoor, dry environment.

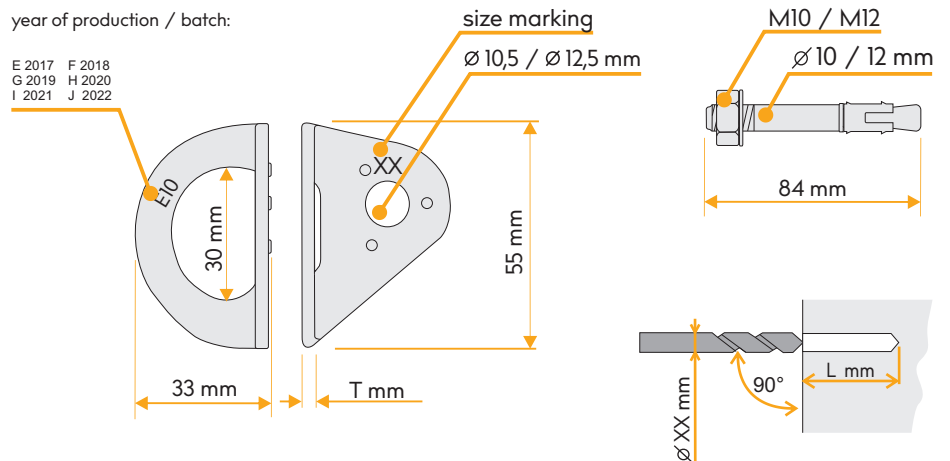
● A4 stainless steel

recommended for outdoor, wet environment. Not recommended for aggressive environment (e.g. sea water, chlorinated pool water, chemically polluted environment, etc.)

TECHNICAL DATA

year of production / batch:

E 2017 F 2018
G 2019 H 2020
I 2021 J 2022



MAINTENANCE

Lifetime of the product is not strictly limited by the manufacturer. Depending on the condition of the product and its history it may be necessary to retire it immediately.

Components may be lubricated with a specific silicone based lubricant.



beware of salt



washing



drying



silicon oil



read instructions