

BIG CONNECTOR

K3536

Forged aluminum snaphook with double action gate

CE 0321

EN 362, class A



Material
Materiál  aluminum alloy

Weight
Váha  450 g
15,87 oz

Strength
Pevnosť  28 kN

Open gate
Světlost  60 mm

For better traceability and inspection this part is marked with the unique number.

MMYY

month year of production

XXXX

Serial no.



Reading and understanding instruction for use are required to use this product!
Bez důkladného pročtení a pochopení návodu k použití nepoužívejte tento výrobek



- forged aluminum snaphook designed for industrial climbing. Used in the climbing structures and pylons
- certified EN 362 / class A
- automatic locking gate
- gate opening 60 mm
- polished surface
- unique product number
- silver and black mat. option

Technical data

CE certification
Značka shody

Notified body
č. notifikované zkušebny

CE 0321

European standard
evropská norma

Model
Model

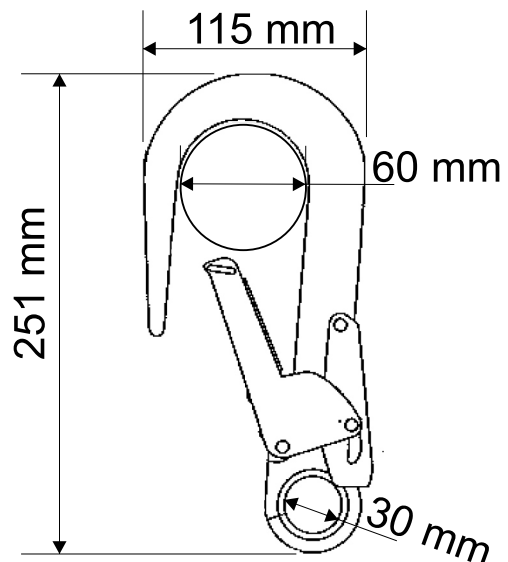
EN 362:2004/A

Strength
Pevnosť

K3536 ◀▶ 28 kN

singing rock

Producer
Výrobce



singing rock

Let's rock!

